

Tristate Pneumatic Transducer



Model EP-321

RoHS



- Accepts universal 24 VAC/VDC triac or dry contact input
- Universal 24VAC/VDC supply voltage
- High air flow capacity
- Field adjustable pulse width and interval
- Field programmable travel time
- Compensates for system volume and leaks
- Precision pressure gauge for branch line indication
- Conforms to EMC and RoHS standards

EP-321 accepts a tristate input and provides an output pressure pulse train with a field adjustable pulse width and interval. As a result, any triac or contact closure can be converted into a desired actuator travel. By adjusting the pulse width and interval, the actuator travel time can be field programmed from as low as five seconds to 25 seconds based on system volume. The EP-321 can operate over 0–20 psig pressure range and has negligible input/output differential. The EP-321 has quiet low wattage poppet valves, rugged aluminum manifold, brass barb fittings and a unique steel chassis which substantially reduces the overall size. A precision gauge is provided for the branch line pressure. The above features and a liberal five year warranty make the EP-321 the highest performance and most reliable transducer in the industry.

 **MAMAC SYSTEMS**

EP-321

SPECIFICATIONS:

Output Pulse Width Range: 0.30 to 25 seconds, $\pm 10\%$

Repeatability: $\pm 1\%$

Maximum Supply Pressure: 30 psig

Pressure Differential: 0 psig (supply to branch)

Supply Current: 100 mA/2.4VA

Operating Temperature: 0° to 70°C

Storage Temperature: -40° to 100°C

Enclosure Material: 18 Ga C.R. Steel Chassis

Enclosure Finish: Baked on enamel-PMS2GR88B

Manifold Material: Aluminum

Flow Rate: 550 SCFM

Solenoid Type: Floating poppet

Tubing Connection: 1/4" brass hose barb

Weight: 1.0 lbs. (.45 kg)

CONFORMANCE & TESTING:

RoHS Compliant

EMC Testing:

BS EN 55022:1998, BS EN 55024:1998,

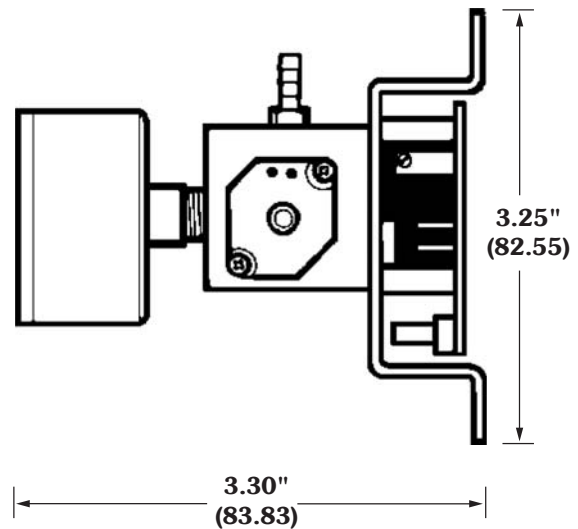
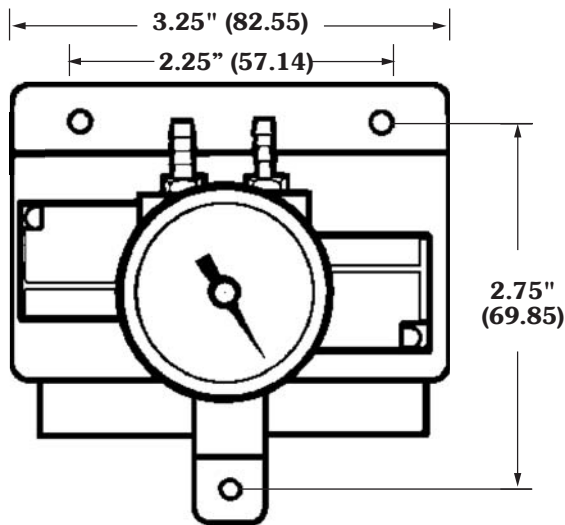
EN 61000-3-3, EN 61000-4-2,

EN 61000-4-3, EN 61000-4-4,

EN 61000-4-5, EN 61000-4-6,

EN 61000-4-11

ORDERING INFORMATION: EP-321



(mm)

CAUTION: Do not use in explosive/hazardous environment or with flammable/combustible media.

EP-321



MAMAC Systems is the leading global manufacturer of sensors, transducers, control peripherals and web browser based IP appliances. MAMAC products are used for HVAC and environmental controls, remote monitoring, alarming, energy metering and industrial automation.

All MAMAC products are manufactured in the USA.

WARRANTY: MAMAC Systems, Inc. and its subsidiaries (hereinafter referred to as MAMAC Systems) warrants its products to be free of defects in material and workmanship for a period of five (5) years from date of shipment. If a unit is malfunctioning, it must be returned to the factory for evaluation. A return authorization number (RMA) will be issued by the customer service department and this number must be written or prominently displayed on the shipping boxes and all related documents. The defective part should be shipped freight pre-paid to the factory. Upon examination by MAMAC Systems, if the unit is found to be defective, it will be repaired or replaced at no charge to the customer. However, this warranty is void if the unit shows evidence of being tampered with, damaged during installation, misapplied, misused, or used in any other operating condition outside of the unit's published specifications.

MAMAC Systems makes no other warranties or representations of any kind whatsoever, expressed or implied, except that of title. All implied warranties including any warranty of merchantability and fitness for a particular purpose are hereby disclaimed. User is responsible to determine suitability for intended use.

LIMITATIONS OF LIABILITY: The remedies of buyer set forth herein are exclusive and the total liability of MAMAC Systems with respect to this order, whether based on contract, warranty, negligence, indemnification, strict liability or otherwise, shall not exceed the purchase price of the product upon which liability is based. **In no event shall MAMAC Systems be liable for consequential, incidental or special damages.** MAMAC Systems reserves the right to change any specifications without notice to improve performance, reliability, or function of our products.

Every precaution for accuracy has been taken in the preparation of this manual, however, MAMAC Systems neither assumes responsibility for any omissions or errors that may appear nor assumes liability for any damages that result from the use of the product in accordance with the information contained in the manual.

